



E3 Student Microscope

Compact, Robust, Easy to Use Microscope for Curious Minds.

The E3 Student Microscope offers excellent value for money. Featuring optics usually found on models twice its price, a robust frame, and built in rechargeable light source, this is a microscope that clearly out performs its competition. Its clever design is based on a solid understanding of the needs of the modern classroom and ensures that this microscope is safe with a low voltage frame, easy to use, easy to support, and will satisfy curious minds for many years.

Clever Features

- Integrated wiring harness to keep cords tidy,
- 4x, 10x, 40x, 100x (oil) objectives,
- Bright 0.2W LED illumination,
- Rechargeable - more than 100 hours per charge,
- User replaceable batteries, and
- Coaxial focus controls.

Configuration Options

- Monocular with simple stage,
- Monocular with mechanical stage, and
- Binocular with mechanical stage,



Charging indicator



Simple stage with diaphragm disc



User replaceable rechargeable batteries



Cable management



Monocular with Simple Stage

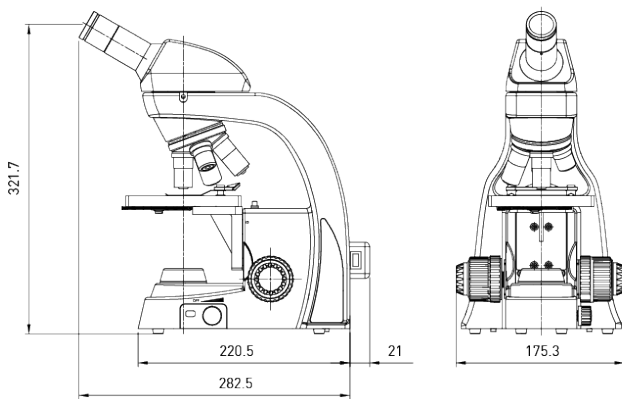


Binocular with Mechanical Stage

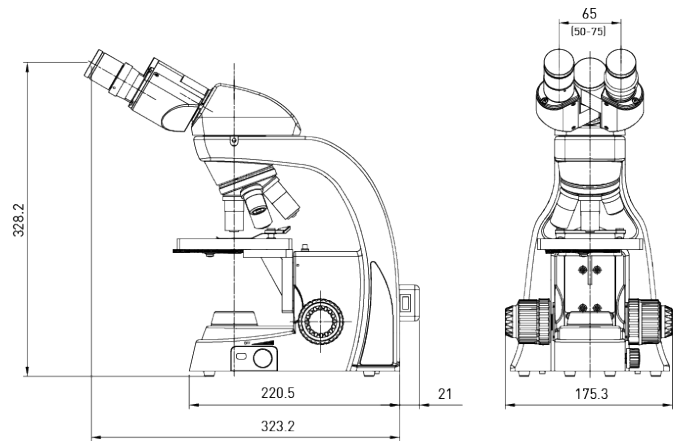
E3 Student Microscopes

Technical Specifications

	E3-M	E3-MM	E3-BM
Eyepieces	Wide field 10×/18mm with optional pointer or graticule		
Viewing Head	30° inclined monocular		30° inclined binocular Right eye diopter (±5) Interpupillary Distance: 50 - 75 mm
Objectives	Achromatic 4× 10× 40× (spring) 100× (oil, spring)		
Focus	Low position coaxial control coarse and fine focus Coarse range: 13mm Fine precision: 0.002mm	Low position coaxial coarse and fine focus Coarse range: 7mm Fine precision: 0.002mm	
Stage	Fixed simple stage Slide clips 110mm × 120mm	Mechanical stage Dual layer, coaxial control Slide holder 115mm x 125mm	
Diaphragm	5 position disc diaphragm	Iris diaphragm	
Condenser	NA 0.65 simple condenser	NA 1.25 Abbe condenser with filter holder	
Illumination	Adjustable 0.2W LED (5700K - 6200K)		
Power Source	5VDC 1A from 110-240VAC power supply		
Warranty	3 year warranty on defective parts and workmanship. prismoptical.com.au/warranty for more information		



E3 monocular microscope



E3 binocular microscope

Digital Imaging

We have a range of digital camera and image analysis options to suit your needs.

- USB2 & USB3 C Mount Cameras
- Eyepiece cameras
- High Dynamic Range Cameras
- HDMI + USB + SDCARD Cameras
- Integrated Screen Options
- CameraLink Cameras
- Calibration Slides (Slide Micrometers)
- Graticules (Eyepiece Micrometers)

Support and Service

Our microscopes include a 2 year warranty on parts and workmanship. Damage from misuse and accidental damage are not included. In the unlikely event of a microscope failing, we will either repair or replace the faulty unit, at our discretion.

Prism Optical Microscopes are quality, precision optical instruments. We strongly recommend undertaking preventative maintenance at least every two years. This will protect your investment and ensure that you have a serviceable instrument for many years. Contact your reseller for more information.

Proudly Sold, Serviced, and Supported by: